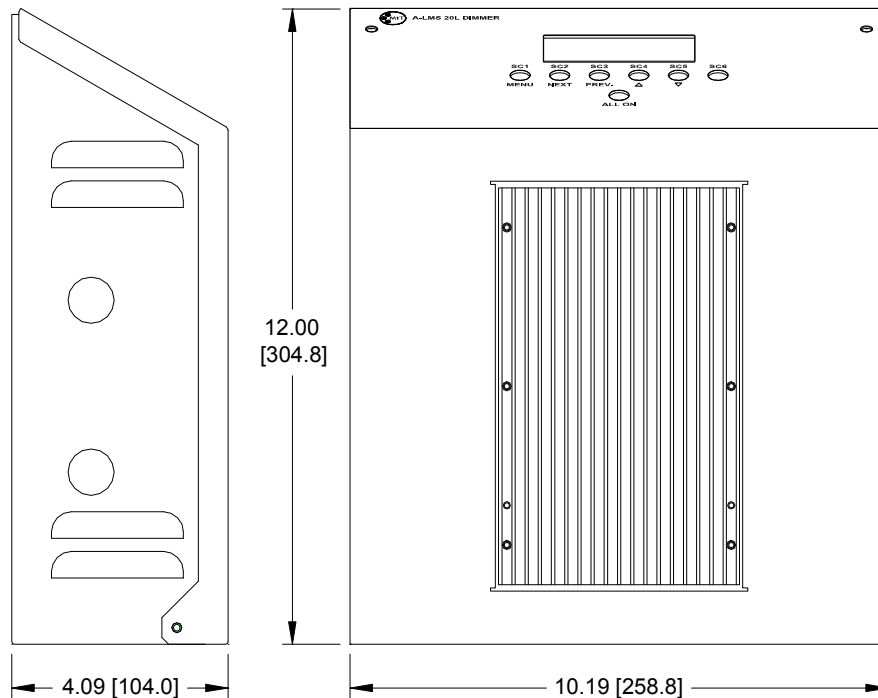


# Moving iMage Technologies

## ALMS-20L Dimmer & Architectural Lighting Manager

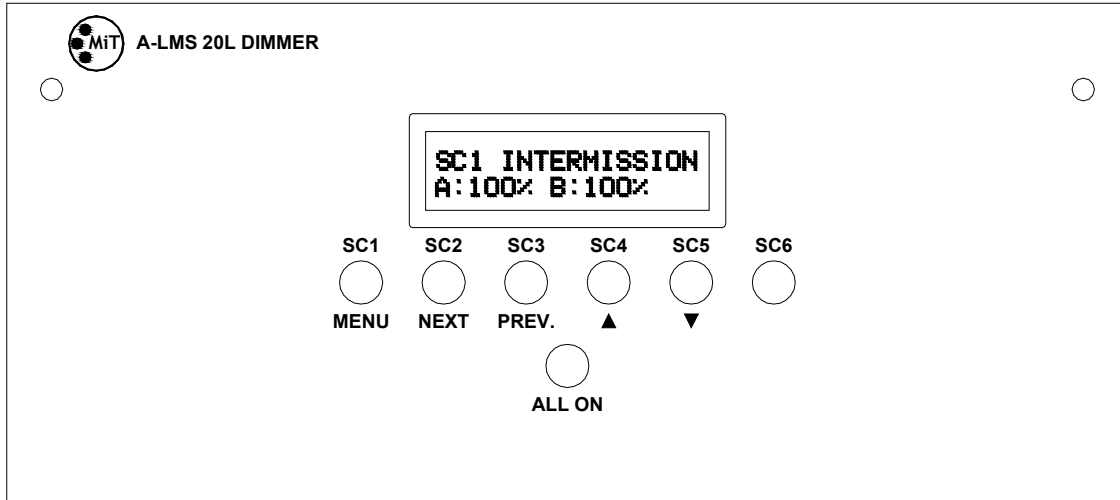


The Moving iMage Technologies ALMS-20L continues the line of lighting control products begun with the cinema industry workhorse M4800 dimmer over a decade ago, and more recently expanded into 1-10VDC lighting control with our ALMS-24 product, by providing *both* functions in the same unit. The perfect solution to aid the transition from 120V incandescent lighting to solid-state LED lighting, since it supports both in the same unit. The ALMS-20L is a forward or “leading edge” type phase control dimmer. It is not compatible with fixtures that require “reverse” or “trailing edge” phase control.

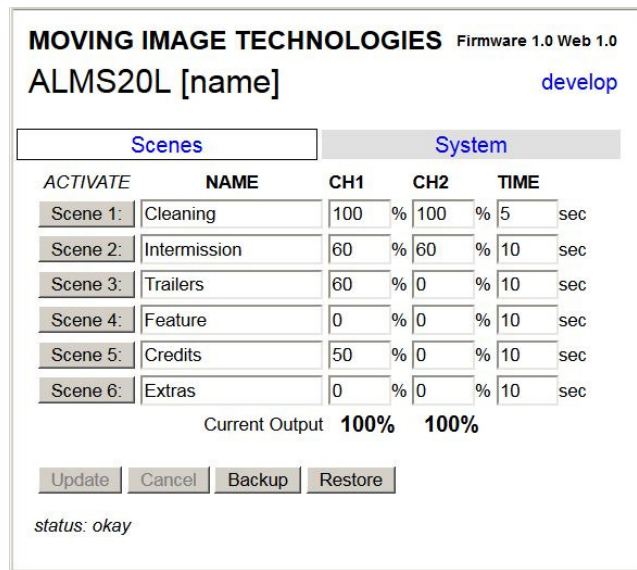
- Two AC channels, 1000W per channel (2000W total)\*
- Two IEC 60929 1-10VDC control channels, 50mA per channel
- Six programmable scenes plus ‘ALL ON’ mode
- Accepts single 20A, 120VAC service (230V model also available)
- LCD Display shows status and allows program changes without opening the unit
- User-friendly graphical user interface for setting levels & timing through network connection
- Accepts commands via contact closure or network. Contact closure output may be used to trigger additional dimmers or other equipment
- Included relays power down fixtures in accordance with ‘green’ initiatives
- Ergonomic front hinges open for easy installation & service.
- All connections by pluggable terminal blocks
- Mounts to wall or bulkhead
- Rugged steel construction, durable powder coat finish
- Safety certification to UL Standard 508 (pending)

\*AC output is optimized for driving LED fixtures & Edison screw base LED retrofit lamps. Wattage rating for use with *incandescent* lamps is 750W per channel.

## Front Panel



## Network Interface



**Dimensions:** 10.2 [260] W x 12 [305] H x 4.1 [105] D

**Weight:** TBD

### Models & Part Numbers:

A000235-001 120VAC model

A000235-002 230VAC model

Note: The unit auto-detects the line frequency, all models are 50/60Hz compatible